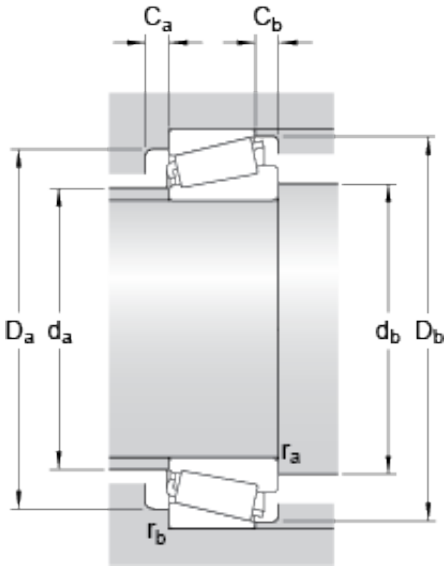




Bearing de Mexico, S.A.



32213 Bearing 2D drawings and 3D CAD models

65 mm x 120 mm x 31 mm 21315E,21315EK Spherical Roller Bearing

Bearing No. 32213

Dimension series	3EC
d	65 mm
D	120 mm
T	32.75 mm
d ₁	90.3 mm
B	31 mm
C	27 mm
r _{1,2} min.	2 mm
r _{3,4} min.	1.5 mm
a	26.558 mm
d _a max.	76 mm
d _b min.	75.5 mm
D _a min.	104 mm
D _a max.	111.5 mm
D _b min.	115 mm
C _a min.	4 mm
C _b min.	5.5 mm
r _a max.	2 mm
r _b max.	1.5 mm
Basic dynamic load rating C	186 kN
Basic static load rating C ₀	193 kN
Fatigue load limit P _u	22.8 kN
Reference speed	4500 r/min
Limiting speed	5600 r/min
Calculation factor e	0.4



Bearing de Mexico, S.A.

Calculation factor Y	1.5
Calculation factor Y_0	0.8
Mass bearing	1.51 kg